

## HS-815 SERIES



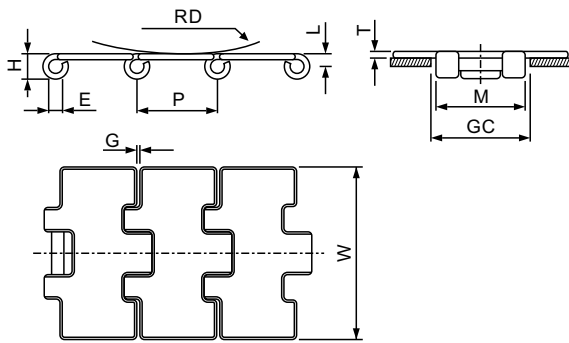
Materials



Applications

**Plate Materials: SS420, SS430, Extra plus**

**Pin Material:** Cold rolled austenitic stainless steel(for stainless steel chains)



Dimension	mm	inches
P	38.1	1.500
T	3.1	0.122
M	41.8	1.646
L	6.6	0.26
H	13.1	0.516
E	6.35	0.250
G	1.5	0.06
RD	150.0	5.9
GC	44.0	1.732

### HS-815 (Straight Running-Single Hinge)

	Material	Width W		Working Load		RD		Weight (kg/m)
		(mm)	(inch)	N(21°C)	lbs(21°C)	(mm)	(inch)	
HS- 815 K325	SS420	82.5	3.25	6000	1350	150	5.9	2.6
HS- 815 K325	SS430	82.5	3.25	6000	1350	150	5.9	2.6
HS- 815 K325	Extra plus	82.5	3.25	8000	1350	150	5.9	2.6