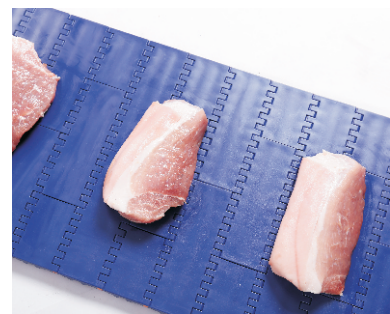
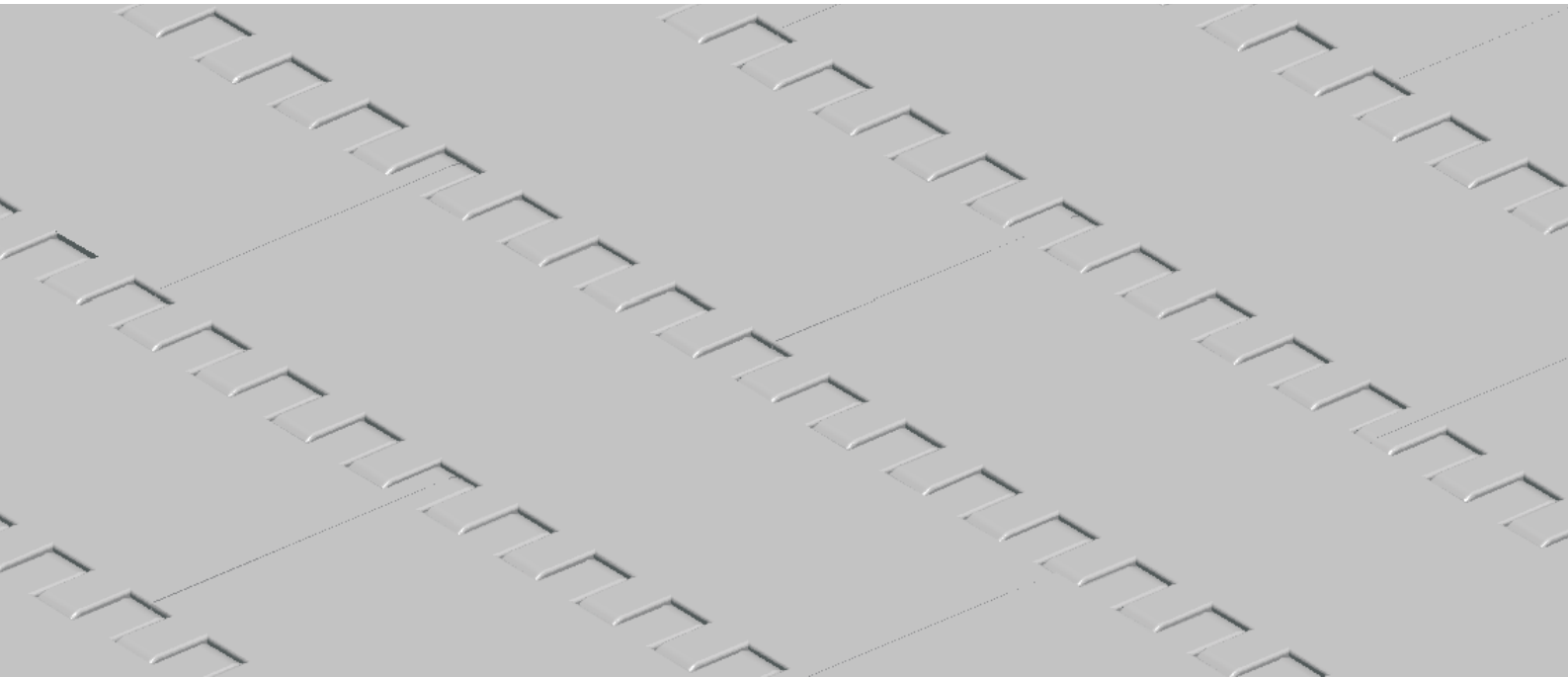


HS-100A Technical Data Sheet



| | |
|---|--|
| Pitch: 50.8mm Minimum Width: 45mm Open Area: 0% Approved: FDA Rod: Ø 5.8mm Flight: Yes Side Guard: Yes Curve: No | |
|---|--|

Data

| Belt Material | Belt Strength | | | Temperature | | Belt Weight (Kg/M ²) |
|---------------|---------------|---------|-------|-------------|-----------|-------------------------------------|
| | Straight | | Curve | °C (min.) | °C (max.) | |
| | Kg/M(BW) | N/M(BW) | | | | |
| Polypropylene | 1340 | 13400 | -- | 1 | 100 | 9.0 |
| Polyethylene | 1280 | 12800 | -- | -60 | 60 | 9.2 |
| Acetal | 1770 | 17700 | -- | -40 | 80 | 12.8 |
| Nylon | 1520 | 15200 | -- | 1 | 180 | 11.3 |
| HK | 1593 | 15930 | -- | -40 | 80 | 12.1 |

BW – Belt Width

Color Table

| Polypropylene | | | | | Polyethylene | | | | | Acetal | | | | | Nylon | | | | |
|---------------|---|---|----|---|--------------|---|---|----|---|--------|---|---|----|---|-------|---|---|----|---|
| W | G | N | DB | B | W | G | N | DB | B | W | G | N | DB | B | W | G | N | DB | B |
| ● | ● | | | | | | ● | | | ● | ● | | | | | ● | | | |

W-White, G-Gray, N-Nature, DB-Dark brown, B-Blue (For more information of belt color, pls consult our sales team)

Friction Table

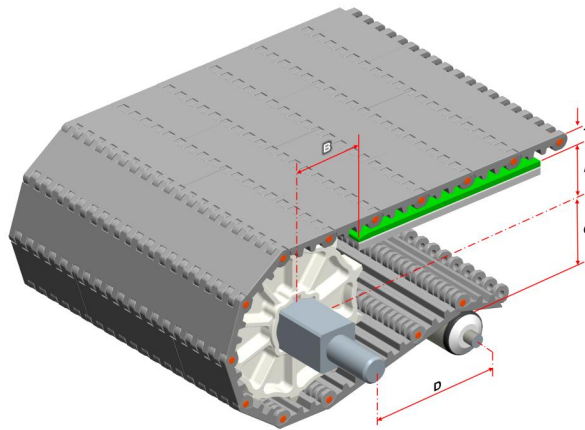
| Belt Material | Friction Wear strips & Products | | | | | | | |
|---------------|---------------------------------|------|-------|-------|------|---------|-----------|----------|
| | UHMW | HDPE | Steel | Glass | SUS | Plastic | Cardboard | Aluminum |
| Polypropylene | 0.32 | 0.24 | 0.15 | 0.09 | 0.13 | 0.08 | 0.15 | 0.25 |
| Polyethylene | 0.13 | 0.11 | 0.26 | 0.19 | 0.31 | 0.16 | 0.21 | 0.41 |
| Acetal | 0.11 | 0.09 | 0.27 | 0.16 | 0.26 | 0.15 | 0.19 | 0.28 |
| Nylon | 0.18 | 0.13 | 0.25 | 0.16 | 0.26 | 0.16 | 0.19 | 0.27 |

SUS – Stainless Steel

Equivalent type with other Brand

| Brand Name | Intralox | Habasit | UNI | Rexnord | MCC | ScanBelt |
|---------------|----------|---------|-----|---------|-----|----------|
| Series & Type | -- | -- | -- | -- | -- | -- |

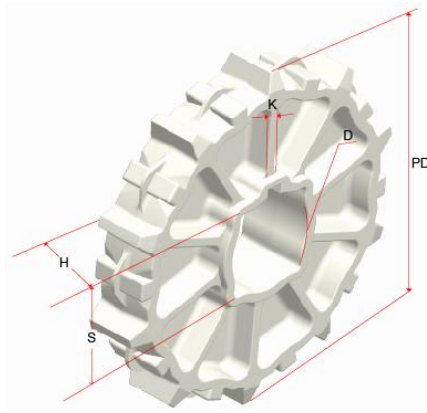
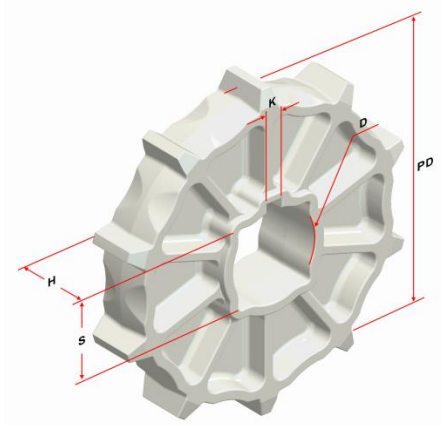
The above content is only for reference.



Conveyor Frame Dimensions

Unit : mm

| No. Teeth | A (Min.) | B (Min.) | C (Max.) | D (Min.) | T |
|-----------|-----------|-----------|-----------|-----------|----|
| 6 | 37.9 | 55.9 | 33.9 | 250 | 16 |
| 8 | 56 | 74 | 52 | 250 | |
| 9 | 63.5 | 81.5 | 59.5 | 250 | |
| 10 | 73 | 91 | 69 | 250 | |
| 12 | 88.4 | 106.4 | 84.4 | 300 | |
| 16 | 122 | 140 | 118 | 300 | |



Sprocket Dimensions

Unit: mm

| No. Teeth | PD | OD | S | D | H | K |
|-----------|--------|-------|-----------------|------------------|----|-----|
| 6 | 101.60 | 91.8 | 38.1/40 | 25.4/30/35/40/45 | 30 | 8X8 |
| 8 | 132.75 | 128 | 38.1/40 | 25.4/30/35/40/44 | 37 | 8X8 |
| 9 | 148.53 | 143 | 38.1/40 | 30/32/45/51 | 35 | 8X8 |
| 10 | 164.39 | 162 | 38.1/40/50/60 | 25.4/30/35/40/45 | 35 | 8X8 |
| 12 | 196.28 | 192.8 | 38.1/40/60 | 45/47 | 37 | 8X8 |
| 16 | 260.39 | 260 | 38.1/40/60/63.5 | -- | 46 | -- |