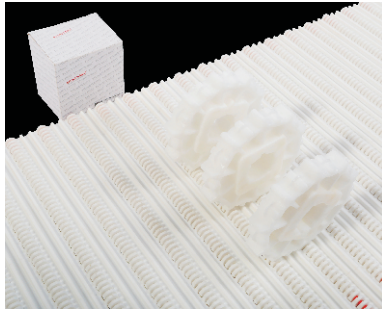
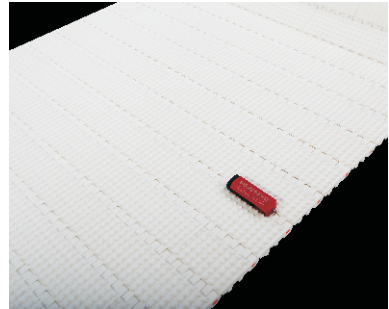
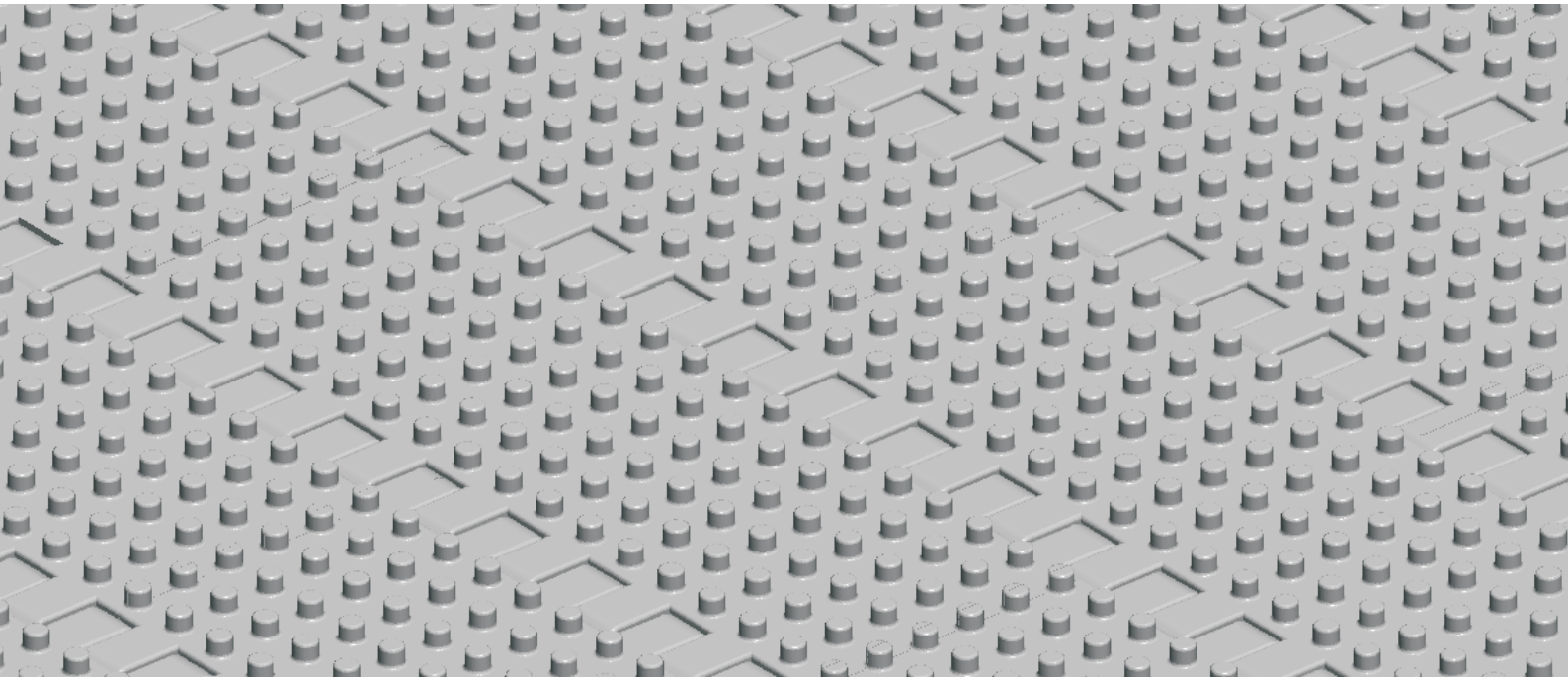


# HS-100AN Technical Data Sheet



<p>Pitch: 50.8mm                  Minimum Width: 45mm                  Open Area: 0%                  Approved: FDA                  Rod: Ø 5.8mm                  Flight: Yes                  Side Guard: No                  Curve: No</p>	
---	--

### Data

Belt Material	Belt Strength			Temperature		Belt Weight (Kg/M <sup>2</sup> )
	Straight		Curve	°C (min.)	°C (max.)	
	Kg/M(BW)	N/M(BW)				
Polypropylene	1340	13400	--	1	100	8.5
Polyethylene	1280	12800	--	-60	60	8.7
Acetal	1770	17700	--	-40	80	12.9
Nylon	1520	15200	--	1	180	11.3

**BW – Belt Width**

### Color Table

Polypropylene					Polyethylene					Acetal					Nylon				
W	G	N	DB	B	W	G	N	DB	B	W	G	N	DB	B	W	G	N	DB	B
●	●						●			●				●		●		●	

W-White, G-Gray, N-Nature, DB-Dark brown, B-Blue (For more information of belt color, pls consult our sales team)

### Friction Table

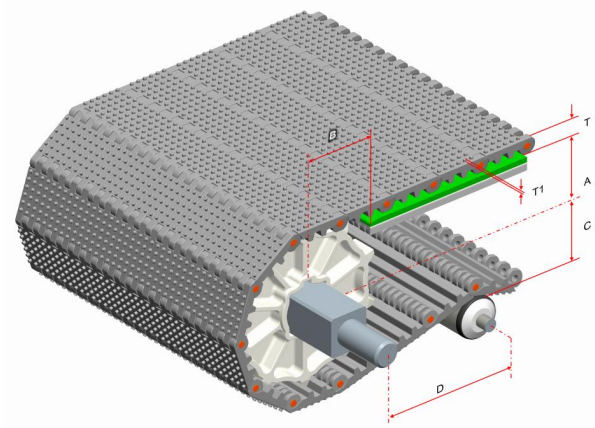
Belt Material	Friction Wear strips & Products							
	UHMW	HDPE	Steel	Glass	SUS	Plastic	Cardboard	Aluminum
Polypropylene	0.32	0.24	0.15	0.09	0.13	0.08	0.15	0.25
Polyethylene	0.13	0.11	0.26	0.19	0.31	0.16	0.21	0.41
Acetal	0.11	0.09	0.27	0.16	0.26	0.15	0.19	0.28
Nylon	0.18	0.13	0.25	0.16	0.26	0.16	0.19	0.27

SUS – Stainless Steel

### Equivalent type with other Brand

Brand Name	Intralox	Habasit	UNI	Rexnord	MCC	ScanBelt
Series & Type	--	--	--	--	--	--

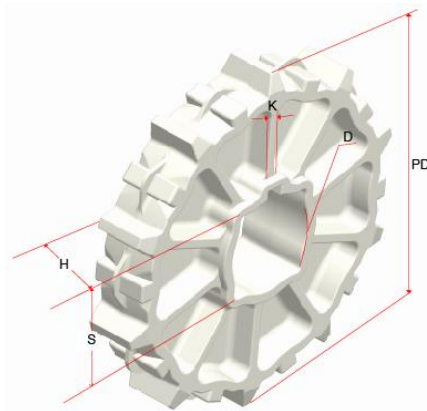
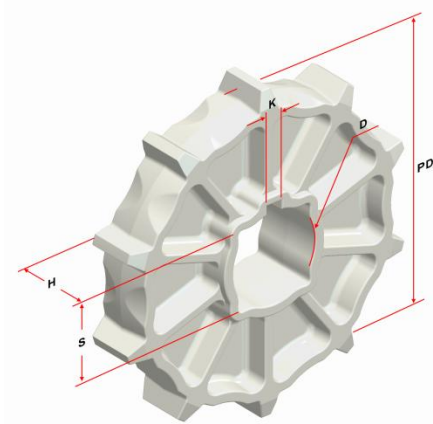
The above content is only for reference.



## Conveyor Frame Dimensions

Unit : mm

No. Teeth	A ( Min.)	B ( Min.)	C ( Max.)	D ( Min.)	T	T2
6	37.9	55.9	33.9	250	16	2.5
8	56	74	52	250		
9	63.5	81.5	59.5	250		
10	73	91	69	250		
12	88.4	106.4	84.4	300		
16	122	140	118	300		



## Sprocket Dimensions

Unit: mm

No. Teeth	PD	OD	S	D	H	K
6	101.60	91.8	38.1/40	25.4/30/35/40/45	30	8X8
8	132.75	128	38.1/40	25.4/30/35/40/44	37	8X8
9	148.53	143	38.1/40	30/32/45/51	35	8X8
10	164.39	162	38.1/40/50/60	25.4/30/35/40/45	35	8X8
12	196.28	192.8	38.1/40/60	45/47	37	8X8
16	260.39	260	38.1/40/60/63.5	--	46	--